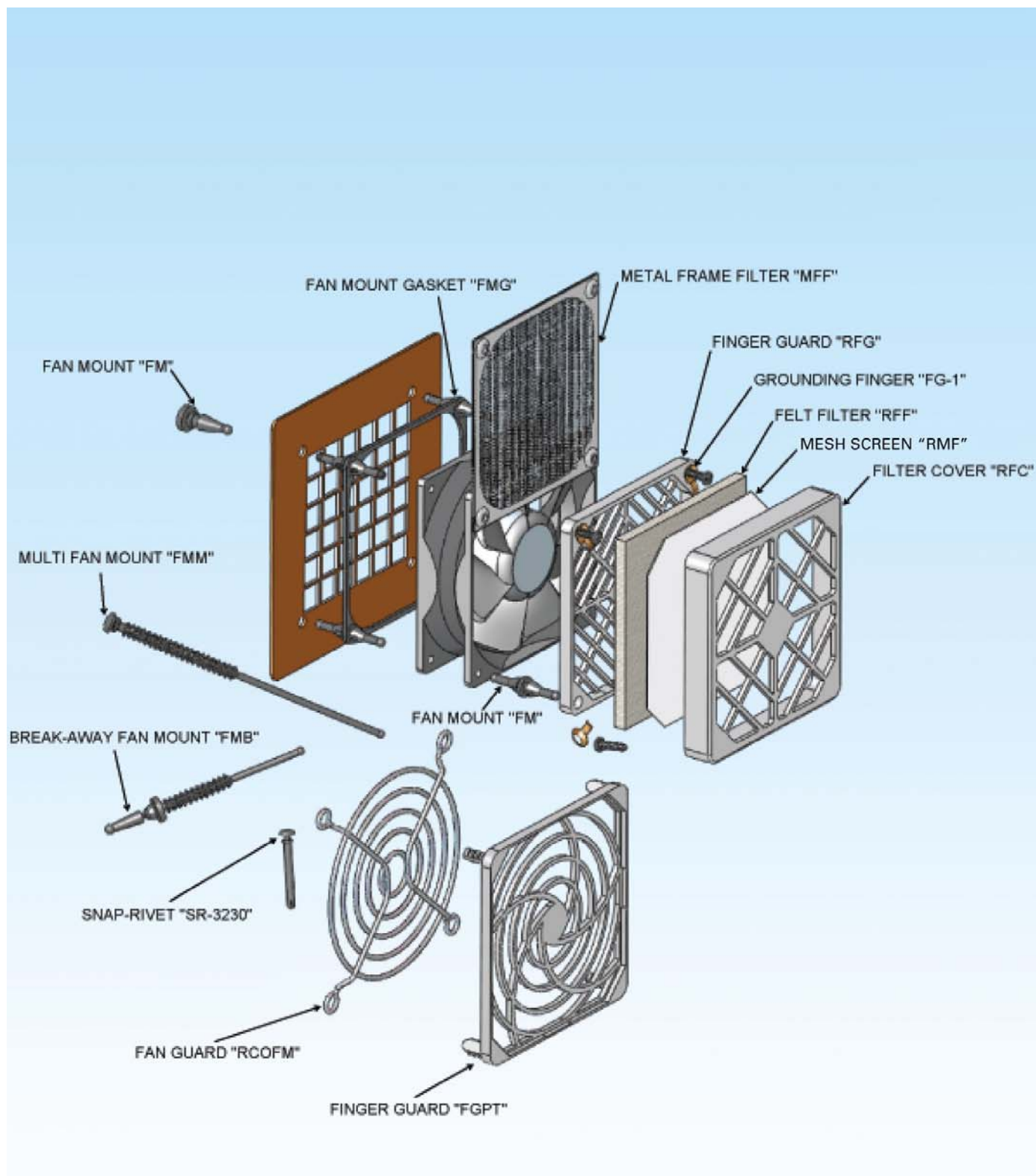
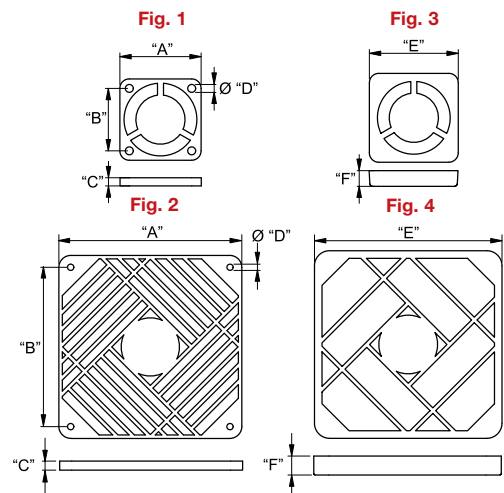
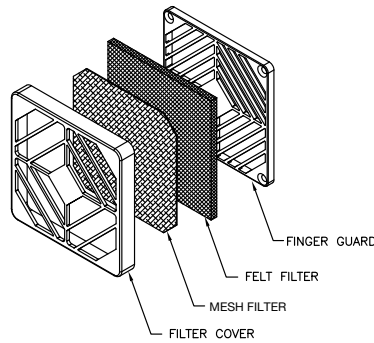
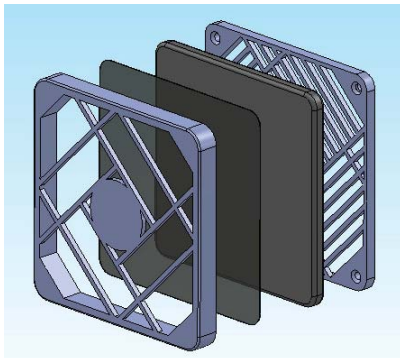


TYPICAL FAN ASSEMBLY



RCP/RFG/RFC/RFF/RMF Fan Filters



Features

- Filter set (RCP) provides IP30 protection

*Filter Set Part No.	Finger Guard					Filter Cover (not sold separately, reference only)				
	Finger Guard Part No.	"A"	"B"	"C"	"D" Hole Ø Min.	Fig.	Filter Cover Part No.	"E"	"F"	Fig.
RCP-040-T	RFG-040-T	43	32.2	4.3	4.1	1	RFC-040-T	46.5	8.4	3
RCP-060-T	RFG-060-T	60.5	50.1	6			RFC-060-T	64.9	12.5	
RCP-080-T	RFG-080-T	80.6	71.8				RFC-080-T	84.8		
RCP-092-T	RFG-092-T	92.3	82.4				RFC-092-T	96.9		
RCP-120-T	RFG-120-T	120.6	105.5				6.2	RFC-120-T		

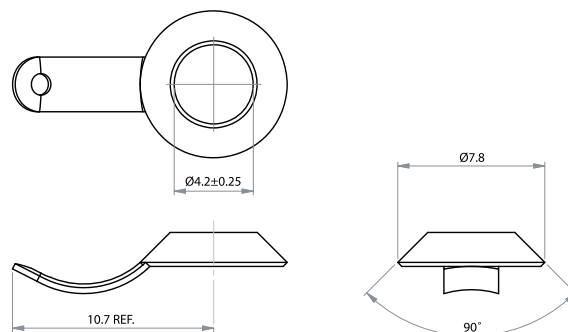
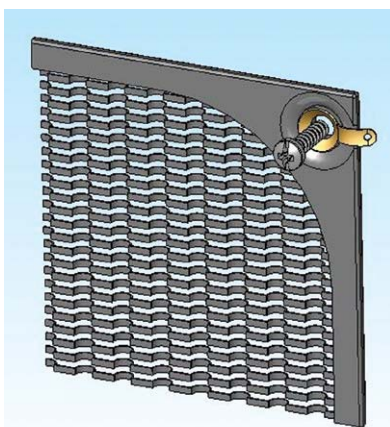
*Filter Set includes finger guard, filter cover, mesh filter and felt filter

Material: Filter Cover & Guard: Nylon 6/6 25% Glass Filled UL94 V0, RMS-27 Color: Black;
Felt Filter: Polyester, RMS-28 Color: White;
Mesh Filter: Stainless Steel AISI 304, RMS-29

	40 x 40	60 x 60	80 x 80	92 x 92	120 x 120
Finger Guard Only	RFG-040-T (160 per Bag)	RFG-060-T (60 per Bag)	RFG-080-T (30 per Bag)	RFG-092-T (20 per Bag)	RFG-120-T (30 per Bag)
*Filter Set	RCP-040-T (50 per Box)	RCP-060-T (20 per Box)	RCP-080-T (10 per Box)	RCP-092-T (10 per Box)	RCP-120-T (10 per Box)
Felt Filter Only	RFF-040-T (10 per Bag)	RFF-060-T (10 per Bag)	RFF-080-T (10 per Bag)	RFF-092-T (10 per Bag)	RFF-120-T (10 per Bag)
Mesh Filter Only	RMF-040-T (10 per Bag)	RMF-060-T (10 per Bag)	RMF-080-T (10 per Bag)	RMF-092-T (10 per Bag)	RMF-120-T (10 per Bag)

Available by special order only.

FG-1 Grounding Finger



FG-1

Material: 0.3 Thick Brass, RMS-373; Tin Plated, RMS-246

Standard Pack: 1,000 per bag

Features

- Helps to eliminate static electricity that is created when air passes through a metallic filter